

PROTECTION MADE SIMPLE.

Professional Line XUFD

Grid and System Protection Relay

The XUFD serves as grid and system protection for supplying generation units, such as wind power stations, hydroelectric power plants, and photovoltaic systems.

In the event of a power failure or a fault in the grid of the energy supply company, private small power plants must immediately be isolated from the public grid to prevent accidental infeed. Otherwise, maintenance personnel could be endangered, or consumers could be exposed to impermissible voltages and frequencies.

Grid and System Protection is Mandatory!

The legal requirements for grid and system protection vary depending on the country, but in general, this protection is mandatory even for relatively small generation units (typ. 15 ... 30 kW) as soon as they feed into the public grid.

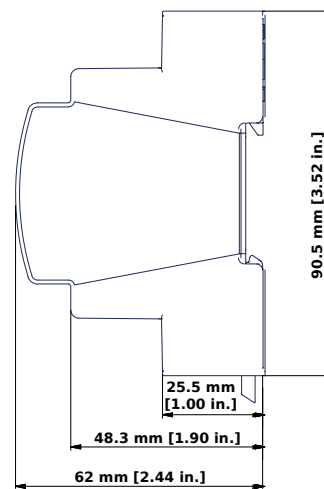
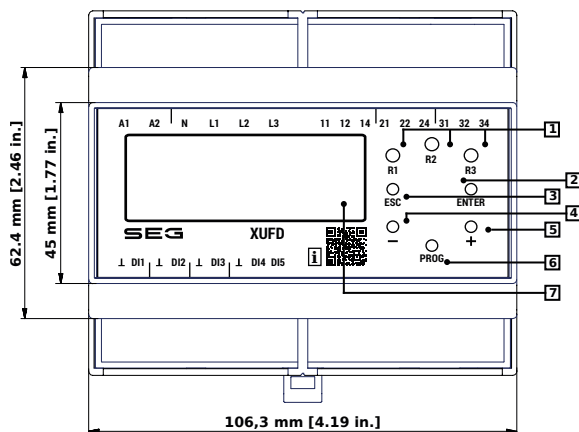
Easy Commissioning without Complex Engineering

The wiring is quickly done following the connection diagrams in the manual.

Then the settings are done quickly and easily, because the XUFD already knows almost all connectivity directives that exist worldwide.

With the first power up, the XUFD shows a dialog asking you to select the local directive that has to be followed. After this, the XUFD is ready to protect your system. If the local directive allows some parameters to have a value out of a range of settings values these settings are done with the same ease because the XUFD continuously checks all settings for conformity with the pre-selected directive.

But of course, it is also possible to make all settings freely and independent of any directives.



Protective Functions		ANSI
U (UΔ, UY)	Under- and overvoltage protection, 1ph or 3ph, measuring line-to-line or line-to-neutral voltages	27, 59
\bar{U}	10-minutes average overvoltage threshold	
Uzero (V0)	Overvoltage of the Symmetrical components Zero voltage	59V0
f	Frequency protection (over- and under frequency)	81U/O
Δf	Rate of Change of Frequency (RoCoF)	81R
$\Delta\Phi$	Phase shift	78V
	External trip / remote shutdown	

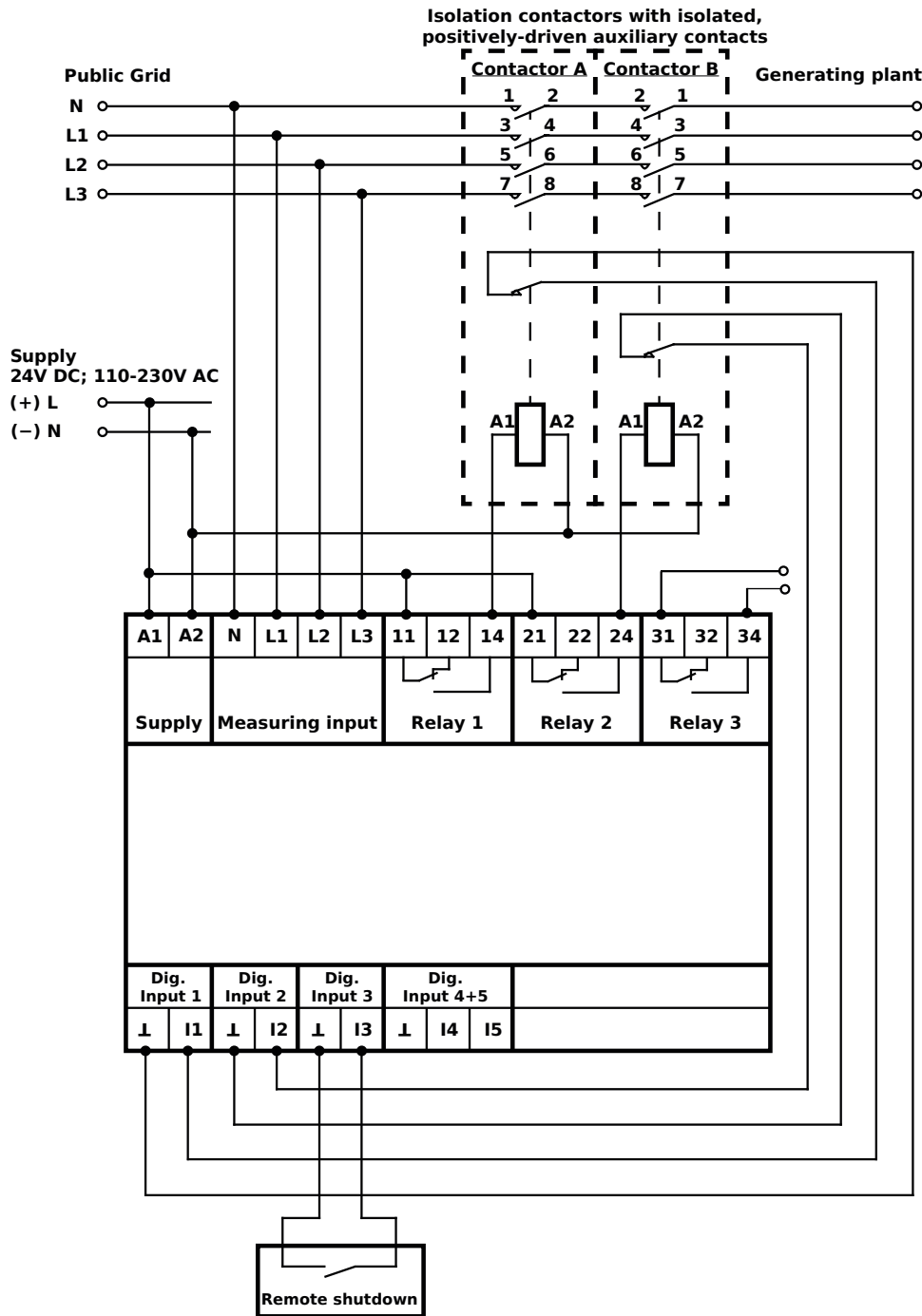
Logging Functions	
	Fault and error memory for up to 50 entries

Security Functions	
	Password protection and sealing option
	Self-Supervision, based on two independent measuring channels being compared one to another



PROTECTION MADE SIMPLE.

Connections (Example)



Order Form

Grid and System Protection Relay **XUFD**

DIN-rail mounting,
width 106.3 mm, height 90.5 mm, depth 62 mm,
text display (4 lines à 20 characters), 3 LEDs (yellow),
5 buttons (1 sealable),
power supply 24 VDC / 110 ... 230 VAC,
3 output relays (changeover), 5 digital inputs (24 V)

HEADQUARTERS:

SEG Electronics GmbH

Krefelder Weg 47
47906 Kempen
Germany

Sales

Phone: +49 (0) 21 52 145 331
Fax: +49 (0) 21 52 145 354
E-Mail: sales@SEGelectronics.de

Service & Support

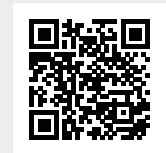
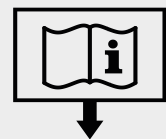
Phone: +49 (0) 21 52 145 600
Fax: +49 (0) 21 52 145 354
E-Mail: support@SEGelectronics.de

Find Your Local Distributor on

<http://www.SEGelectronics.de>

Technical Documents:

<https://docs.SEGelectronics.de/xufd>



For more information please contact: